

GREENSEAL P.V.C WATERSTOP

P.V.C WATERSTOP

DESCRIPTION

By combining 40 years of manufacturing know how to international standards, Greenseal brings this technical knowhow to the extrusion of PVC Waterstops

Greenseal PVC Waterstops are made using specially compounded PVC resin suitable for construction and expansion joint areas as well as for water retaining structures.

The profiles that are available for internal and external for both construction and expansion joint are capable of providing a watertight seal.

These profiles are available in rolls with separate intersections supplied to simplify and minimise on site fabrication.

The various profile available are the general international standard. The 9 series profile is following the standard provided by the Kuwait ministry of energy. The 3 series profile is Greenseal most commonly used profile for joint areas. The dumbbell series is the latest to be designed where a dumbbell profile is preferred.

The special joint pieces for certain area, where the casting is done in a way where a special designed shape of the waterstop is required, can be supplied

by Greenseal. Greenseal brings the quality in the manufacturing process to the workmanship of joining the special pieces to ensure the special pieces are according to quality standards.

AREA OF USE

- Foundation Work
- Basement
- Retaining Wall
- Tunnels
- Reservoirs
- Swimming Pool

ADVANTAGES

- Various profiles and sizes available for different types of areas
- Special pieces for intersection readily available made at the factory
- Eyelets at different distance available upon request to ease installation process
- Greenseal PVC waterstop conform to the required standards

TYPICAL PHYSICAL PROPERTIES OF PVC WATERSTOPS

Properties	Test Methods	Nominal Value
Tensile Strength	ASTM D-412-97	2020 PSI
Ultimate Elongation	ASTM D-412-97	320%
Low Temperature Brittleness @ - 35°C	ASTM D-746-95	Passed
Stiffness in Flex	ASTM D-747-93	1440 PSI
Initial Hardness Shore A	CRD-C-572	80 +/- 5
Tear Strength	ASTM D624	827 lbf/in
Deformation under Heat	BS2782	0.8%
Water Absorption	ASTM D570	0.03
Specific Gravity	ASTM D792	1.38

SELECTING THE CORRECT WIDTH

The thickness of the concrete as well as the position of the reinforcement will determine the width of the waterstop. The width of the waterstop is typically smaller or equal to the thickness of the concrete. Please consult the Greenseal Technical Department for more information regarding the correct sizing of the waterstop.

SITE JOINING

The jointing of the PVC waterstop is typically done by a welding sword or welding blade together with an adjustable jig. The ends of the waterstop that will be joint are aligned to each other place into the jig. The welding sword/blade is then used to heat up the ends of the PVC waterstop till the ends become a semi-molten state. The welding sword/blade is then removed, and the 2 ends are brought together till it fuses with each other.



Internal PVC Waterstop



Separate Casting of PVC Waterstop

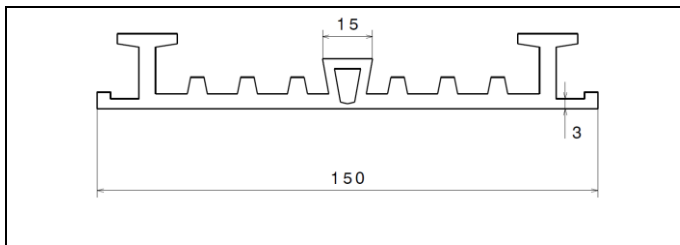


Flat X Joint

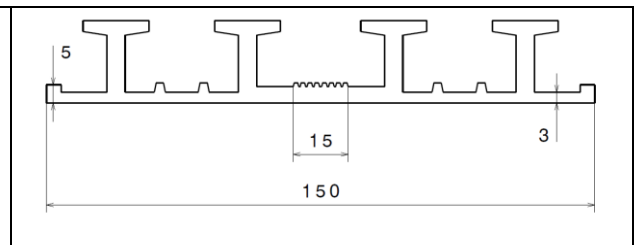


Vertical T- Joint

EXTERNAL JOINTS (3 series Standard International Profile)



GS 323 – 150mm - Expansion



GS 327 – 150mm - Construction

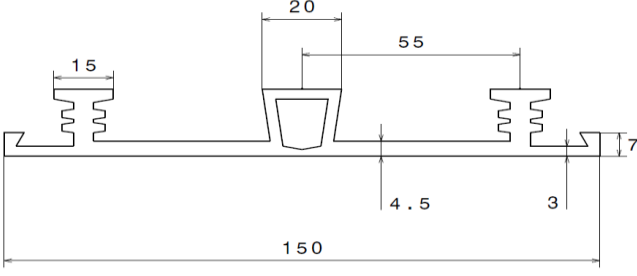
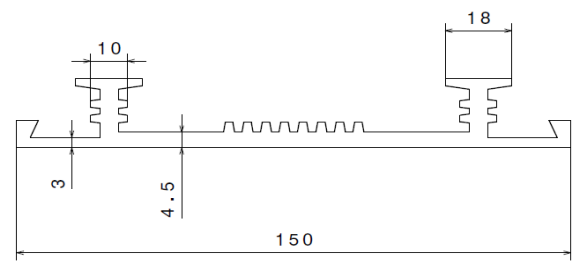
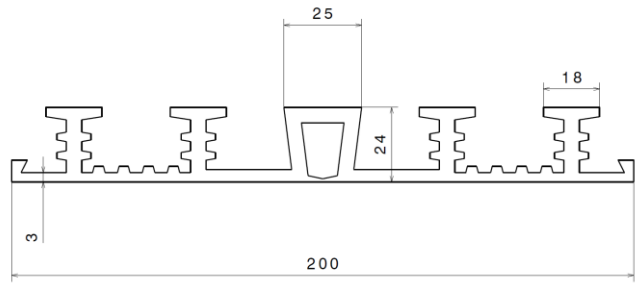
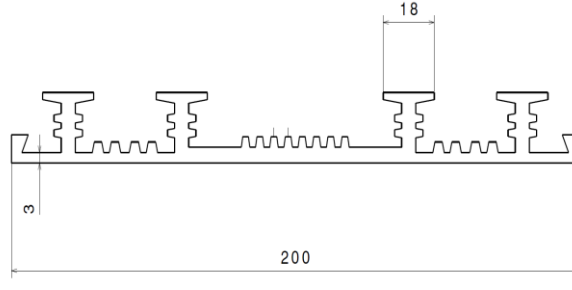
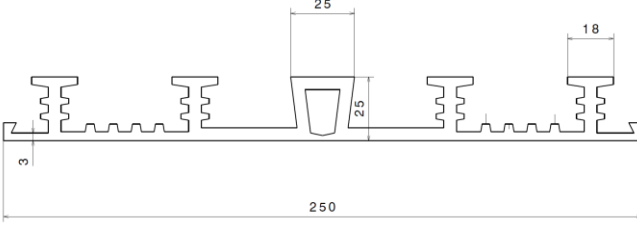
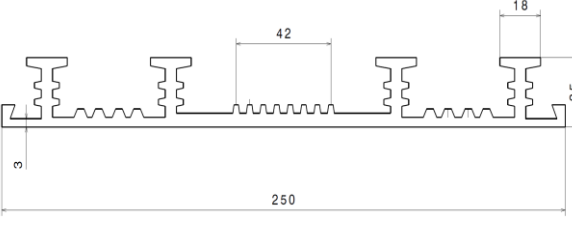
GREENSEAL P.V.C WATERSTOP

<p>GS 324 – 200mm - Expansion</p>	<p>GS 328 – 200mm - Construction</p>
<p>GS 325 – 250mm - Expansion</p>	<p>GS 329 – 250mm - Construction</p>

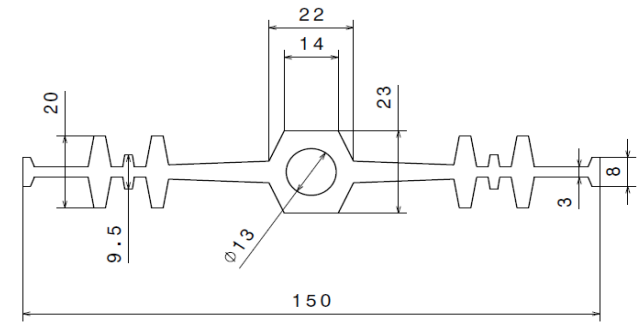
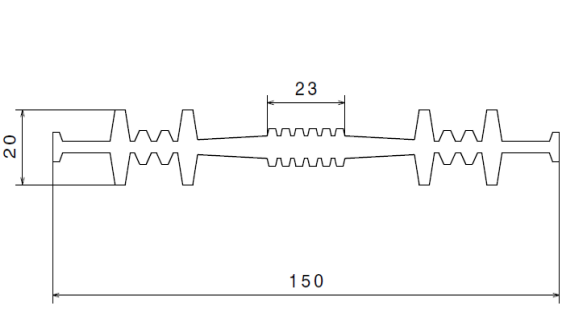
INTERNAL JOINTS (3 series - Standard International Profile)

<p>GS 351 – 150mm - Expansion</p>	<p>GS 355 – 150mm - Construction</p>
<p>GS 352 – 200mm - Expansion</p>	<p>GS 356 – 200mm - Construction</p>
<p>GS 353 – 250mm - Expansion</p>	<p>GS 357 – 250mm - Construction</p>

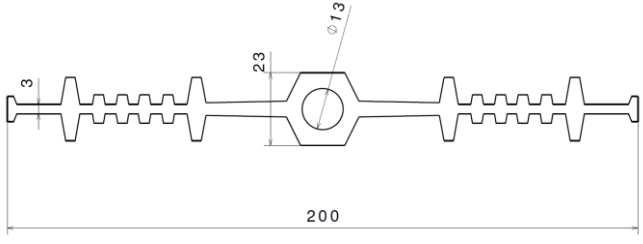
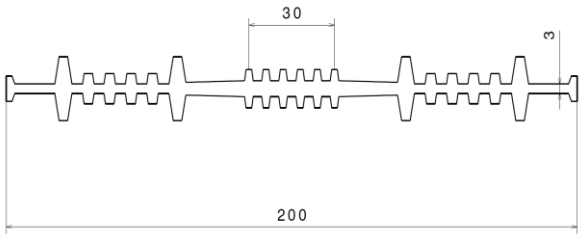
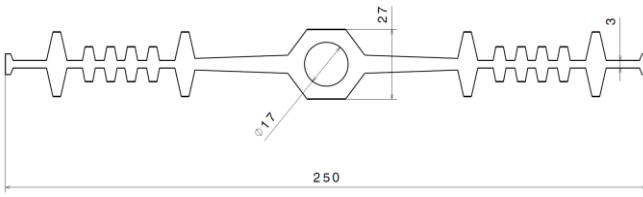
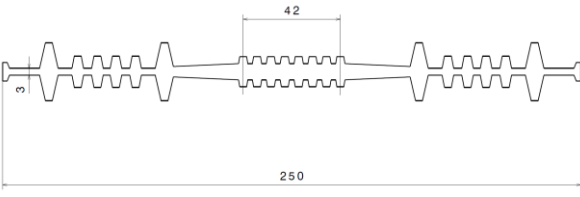
EXTERNAL JOINTS (9 series profile - Kuwait Ministry approve profile) (3mm and 4mm available)

	
<p>GS 923 – 150mm - Expansion</p>	<p>GS 927 – 150mm - Construction</p>
	
<p>GS 924 – 200mm - Expansion</p>	<p>GS 928 – 200mm - Construction</p>
	
<p>GS 925 – 250mm - Expansion</p>	<p>GS 929 – 250mm - Construction</p>

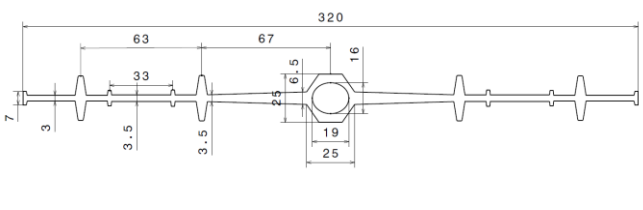
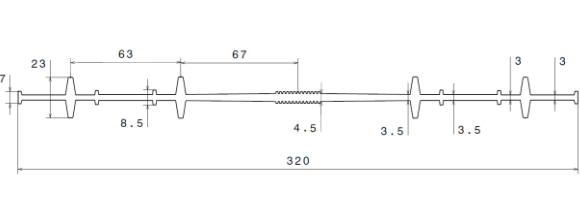
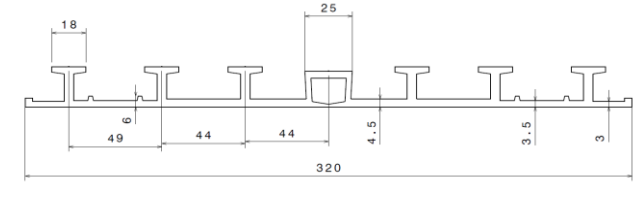
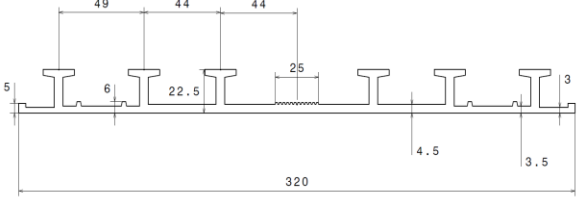
INTERNAL JOINTS (9 series profile - Kuwait Ministry approved profile) (3mm and 4mm available)

	
<p>GS 951 – 150mm - Expansion</p>	<p>GS 955 – 150mm - Construction</p>

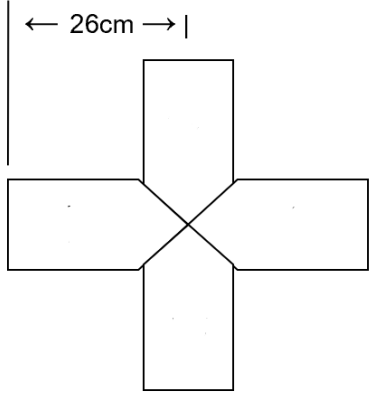
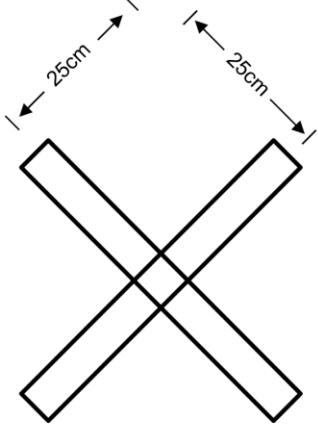
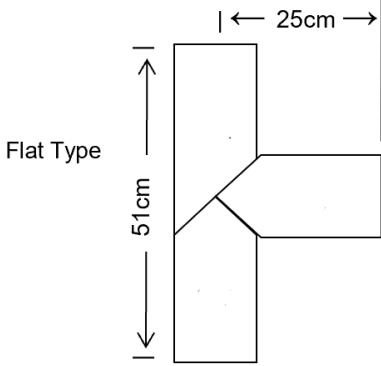
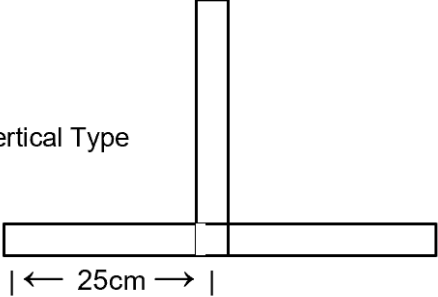
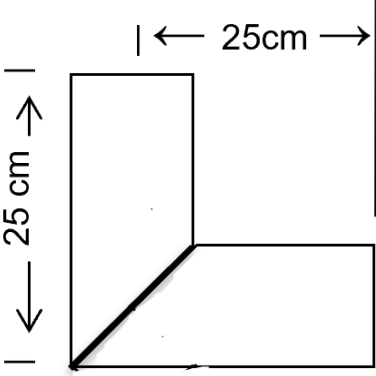
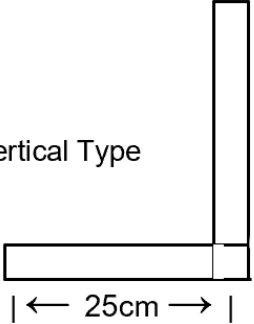
GREENSEAL P.V.C WATERSTOP

	
<p>GS 952 – 200mm - Expansion</p>	<p>GS 956 – 200mm - Construction</p>
	
<p>GS 953 – 250mm - Expansion</p>	<p>GS 957 – 250mm - Construction</p>

320mm Profile

	
<p>GS 320 IXJ – 320mm - Expansion</p>	<p>GS 320 ICJ – 320mm - Construction</p>
	
<p>GS 320 EXJ – 320mm - Expansion</p>	<p>GS 320 ECJ – 320mm - Construction</p>

Intersections Available

	
<p>Flat X Joint</p>	<p>Vertical X Joint</p>
 <p>Flat Type</p>	 <p>Vertical Type</p>
<p>Flat T Joint</p>	<p>Vertical T Joint</p>
	 <p>Vertical Type</p>
<p>Flat L Joint</p>	<p>Vertical L Joint</p>

Guarantee

The information contained in this leaflet is based on our experience and technical knowledge, obtained through laboratory testing and from bibliographic material. GREENSEAL reserves the right to introduce changes without prior notice. Any use of this data beyond the purposes expressly specified in the leaflet will not be the Company's responsibility unless authorized by us. Our guarantee covers exclusively the quality of the manufactured product. We will not accept any responsibility exceeding the value of the purchased product.

Greenseal Products (M) Sdn Bhd, Lot 5 & 7, Jln 35/10A, Taman Perindustrian IKS, Mukim Batu Caves,
68100 Kuala Lumpur, Malaysia. Tel : 603-61882298 Fax : 603-61861298
E-mail : enquiries@greenseal.com.my URL: <http://www.greenseal.com.my>

Greenseal is certified by
MS ISO 9001:2008 Quality Management System
ISO 14001:2004 Environment Management System